

Tissue Roll Clamps

Model RA-NT



The Bolzoni Auramo RA-NT model roll clamps are an excellent choice for heavy-duty tissue paper roll handling.

Tissue paper rolls require dedicated handling equipment in order to prevent the often very soft and fragile paper from damaging.

Big-surface contact pads prevent local roll deformations by reducing the surface pressure directed to the roll. Many contact pad friction surface options enable the right choice for all paper qualities. Special contact pad sizes and forms are also available on request.

The wide roll diameters, common with tissue paper, require a large-opening clamp. Bolzoni Auramo RA-NT series comprises over 20 wide-opening clamp models in several capacity classes. Special applications and opening ranges are also possible.

Well-proven, rack-and-pinion 180-degree rotation provides fast and high-torque rotation. It enables both vertical and horizontal roll handling.

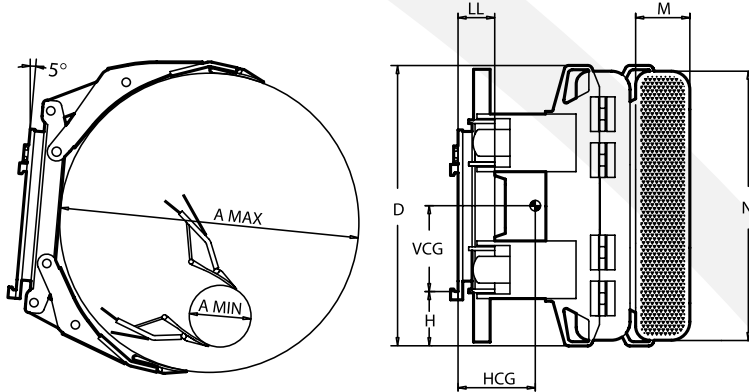
The rotation has an incorporated end cushioning in the vertical stop positions. This reduces dynamic loads directed to paper roll and clamp, and reduces damage.



BOLZONI
AURAMO 

Tissue Roll Clamps

Models RA-NT



- Rotating Paper Roll clamp for vertical and horizontal handling of a single tissue roll.
- Big-surface clamp pads prevent roll damage.
- Pivoting arm movement. Short and long arms.
- 180-degree rotation, with hydraulic cushioning in the vertical positions eliminates the risk of edge-damage.

Model	Capacity		Roll Range	Height	Weight	Horizontal Centre of Gravity	Vertical Centre of Gravity	Effective Thickness	Contact Pads	Contact Pad Gap	Mounting Height	Mounting Class
	Q kg	BP mm										
RA-100-NFT ^②	1000	750	400-1500	1040	430	300	272	160	350x1000	-	330	2A
RA-100-NLT	1000	1050	650-2100	1240	800	400	375	180	280x1200	-	255	2A/3A
RA-140-NT	1400	900	250-1800	1240	750	390	375	180	280x1200	-	255	2A/3A
RA-150-NT	1500	850	250-1700	1240	700	320	375	180	280x1200	-	255	2A/3A
RA-160-NT	1600	800	250-1600	1240	680	310	375	180	280x1200	-	255	2A/3A
RA-30RT-21	2100	1065	450-2130	1235	930	420	360	200	280x1200	-	260	2A/3A
RA-30RT-20	2250	1015	400-2030	1235	920	410	360	200	280x1200	-	260	2A/3A
RA-30RT-18	2500	915	400-1830	1235	890	380	360	200	280x1200	-	260	2A/3A
RA-200-NLT	2000	1250	850-2500	1440	1300	450	455	185	400x1400	-	280	3A/4A
RA-220-NLT	2200	1150	850-2300	1440	1280	420	455	185	400x1400	-	280	3A/4A
RA-240-NT	2400	1050	500-2100	1440	1220	380	455	185	400x1400	-	280	3A/4A
RA-270-NT	2700	1000	450-2000	1440	1190	355	455	185	400x1400	-	280	3A/4A
RA-280-NT	2800	900	250-1800	1440	1140	330	455	185	400x1400	-	280	3A/4A
RA-250-NLT	2500	1250	500-2500	1440	1440	510	430	210	400x1400	-	310	3A/4A
RA-280-NLT	2800	1200	450-2400	1440	1380	500	430	210	400x1400	-	310	3A/4A
RA-300-NT	3000	1100	500-2200	1440	1350	450	430	210	400x1400	-	310	3A/4A
RA-330-NT	3300	1000	500-2000	1440	1290	400	430	210	400x1400	-	310	3A/4A
RA-380-NT	3800	900	250-1800	1440	1220	355	430	210	400x1400	-	310	3A/4A
RA-320-NLT	3200	1250	850-2500	1440	1695	550	430	235	700x1400	-	240	4A
RA-400-NLT	4000	1300	850-2600	1440	2240	500	530	260	700x1400	-	x	4A
RA-500-NLT	5000	1300	650-2500	1440	2150	480	530	260	700x1400	-	x	4A
RA-600-NLT	6000	1350	1500-2700	1840	3400	800	660	290	700x1800	-	x	x

Two hydraulic functions. Special roll ranges on request. Consult Bolzoni Auramo for hydraulic pressure and flow rate recommendations.

- ① Standard contact pads: rubber-faced, unsplit pads. Contact pad option: plain pad surface.
- ② Fixed short arm.

Note: For bilge handling, 5-degree forward tilt on upright is required. For 0-degree tilt, special arms are available. Consult Bolzoni Auramo.