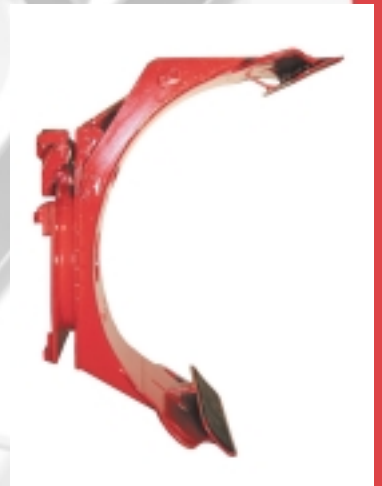


Paper Roll Clamps

Model AM-RF / AM-RH



The Bolzoni Auramo AM-RF / AM-RH paper roll clamp models are designed for vertical and horizontal handling of single paper rolls.

The AM-RF version has a pivoting long arm and a fixed short arm. Thin arm design enables easy tight handling in confined spaces.

The AM-RH version is fitted with a pivoting long arm and adjustable short arm, the short arm is positioned hydraulically for handling smaller roll diameters, and is actuated when the clamp is rotated to a 45-degree rotation angle.

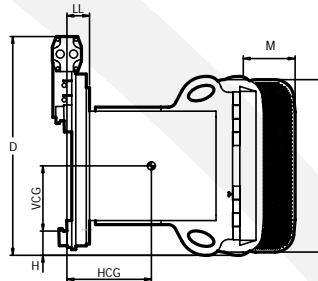
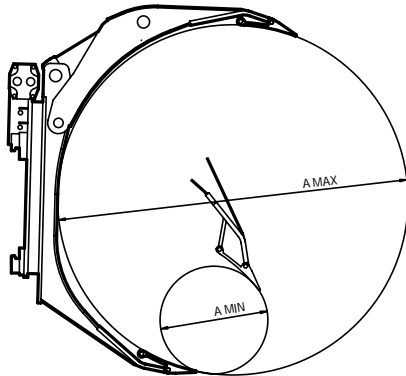
The well-proven 360-degree rotation unit provides fast and high-torque rotation. The completely closed primary gear unit is working in an oil bath and the secondary drive is grease lubricated.

The simple but robust design makes the clamp easy to service and maintain. Arm pivot pins have bronze bearings and grease nipples. A pressure measurement point and check valve are mounted to the base of the clamping cylinder. A relief valve for clamping pressure is also included as a standard fitting.

A wide selection of different contact pad friction surfaces makes it easy to adapt the clamp properties for varying paper types and qualities.

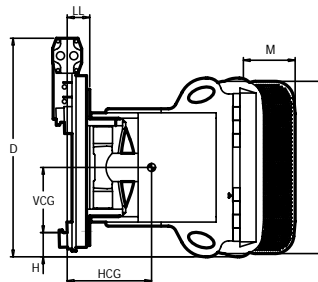
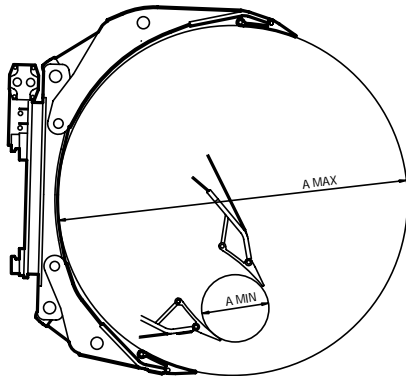
Paper Roll Clamps Models AM-RF / AM-RH

AM-RF



- 360-degree rotating paper roll clamp for vertical and horizontal handling of single rolls.
- Pivoting long arm movement.
- Models AM-RF: Fixed short arm.
- Models AM-RH: Hydraulically positionable short arm with wider roll diameter range.
- Several contact pad options in standard series.
- Mounting angle 1,5°.

AM-RH



Model	Capacity	Load Centre	Roll Range	Height	Weight	Horizontal Centre of Gravity	Vertical Centre of Gravity	Effective Thickness	Contact Pads	Contact Pad Gap	Mounting Height	Mounting Class
	<i>Q</i> kg	<i>BP</i> mm	<i>A</i> mm	<i>D</i> mm	<i>W</i> kg	<i>HCG</i> mm	<i>VCG</i> mm	<i>LL</i> mm	<i>M x N</i> mm	<i>O</i> mm	<i>H</i> mm	<i>ISO</i> 2328
Fixed short arm												
AM-13RF-11	1400	575	300-1150	832	345	230	260	136	200x680	-	110	2A
AM-13RF-13	1300	650	400-1300	832	360	245	260	136	200x680	-	110	2A
AM-18RF-13	1800	650	400-1300	832	420	250	260	151	200x680	-	110	2A
Mobile short arm												
AM-13RH-13	1300	650	250-1300	832	400	245	260	136	200x680	-	110	2A
AM-18RH-13	1800	650	250-1300	832	470	250	260	151	200x680	-	110	2A

Two hydraulic functions.

Special roll ranges on request (Models

AM-RH only). Standard contact pads:

Cast pad with high-friction surface.

Contact pad options: Steel-sprayed,
rubber faced or polyurethane faced.