

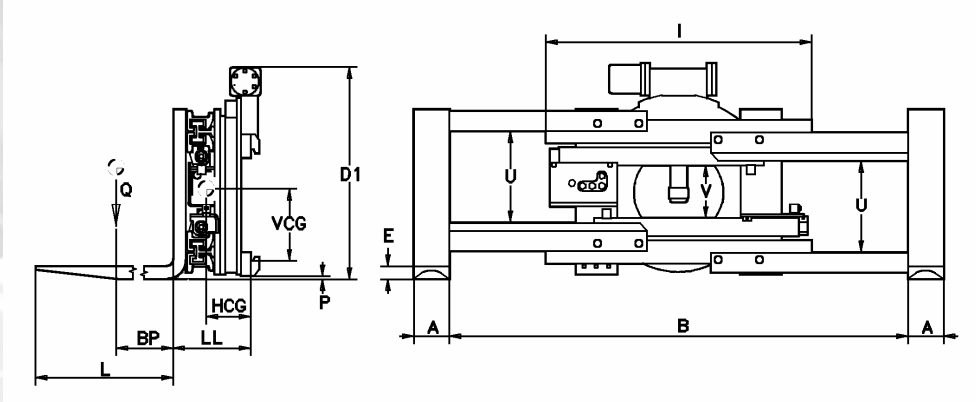
## 360° Rotating Pallet Fork Clamps Models KG-H



- Strong double T-profile frame.
- 360° continuous rotation in both directions.
- Forks welded to the arm carriers.
- Reduced weight, effective thickness and centre of gravity.
- Excellent visibility.
- Commonly used to empty containers and bins in foundries, food and agriculture industries.



# 360° Rotating Pallet Fork Clamps Models KG-H



Model	Capacity	Load Centre	Operating Range	Fork Dimensions	Frame Width	Minimum Carriage Width	Rotator Height	Weight	Centre of Gravity Horizontal	Centre of Gravity Vertical	Effective Thickness	Side Visibility	Central Visibility	Ground Clearance	Mounting Class
	Q1 / Q2 kg	BP mm	B mm	LxAxE mm	I mm	FL mm	D1 mm	W kg	HCG mm	VCG mm	LL mm	U mm	V mm	P mm	ISO 2328
KG 10 H4A	1000 / 1600	500	470 - 1700	1000x100x35	930	690	780	432	180	270	270	343	202	9	2A
KG 10 H5A	1000 / 1600	500	470 - 1700	1100x100x35	930	690	780	437	195	270	270	343	202	9	2A
KG 10 H6A	1000 / 1600	500	470 - 1700	1200x100x35	930	690	780	442	203	270	270	343	202	9	2A
KG 10 H6A EU	1000 / 1600	500	350 - 1580	1200x100x35	1050	690	780	447	200	270	270	343	202	9	2A
KG 14 H4A	1400 / 2000	500	470 - 1700	1000x100x40	930	690	780	445	186	270	277	341	200	9	2A
KG 14 H5A	1400 / 2000	500	470 - 1700	1100x100x40	930	690	780	451	198	270	277	341	200	9	2A
KG 14 H6A	1400 / 2000	500	470 - 1700	1200x100x40	930	690	780	456	209	270	277	341	200	9	2A
KG 14 H6A EU	1400 / 2000	500	350 - 1580	1200x100x40	1050	690	780	462	205	270	277	341	200	9	2A
KG 18 H4A	1800 / 2500	500	490 - 1820	1000x120x40	970	690	780	480	193	270	282	340	197	9	2A
KG 18 H5A	1800 / 2500	500	490 - 1820	1100x120x40	970	690	780	496	212	270	282	340	197	9	2A
KG 18 H6A	1800 / 2500	500	490 - 1820	1200x120x40	970	690	780	503	227	270	282	340	197	9	2A
KG 18 H6A EU	1800 / 2500	500	320 - 1610	1200x120x40	1100	690	780	514	224	270	282	340	197	9	2A
KG 22 H4A	2200 / 2500	500	490 - 1820	1000x120x40	970	690	780	495	199	270	285	338	195	9	2A
KG 22 H5A	2200 / 2500	500	490 - 1820	1100x120x40	970	690	780	512	218	270	285	338	195	9	2A
KG 22 H6A	2200 / 2500	500	490 - 1820	1200x120x40	970	690	780	520	234	270	285	338	195	9	2A
KG 22 H6A EU	2200 / 2500	500	320 - 1610	1200x120x40	1100	690	780	526	228	270	285	338	195	9	2A
KG 28 H4B	2800 / 3500	500	490 - 1820	1000x120x45	970	750	911	687	203	305	307	383	240	20	3A
KG 28 H5B	2800 / 3500	500	490 - 1820	1100x120x45	970	750	911	699	219	305	307	383	240	20	3A
KG 28 H6B	2800 / 3500	500	490 - 1820	1200x120x45	970	750	911	711	232	305	307	383	240	20	3A
KG 28 H6B EU	2800 / 3500	500	320 - 1610	1200x120x45	1100	750	911	719	232	305	307	383	240	20	3A
KG 35 H6B	3500 / 4000	500	550 - 2050	1200x150x50	1250	955	911	861	245	305	323	377	206	20	3A
KG 35 H6B EU	3500 / 4000	500	260 - 1510	1200x150x50	1150	955	911	827	246	305	323	377	206	20	3A
KG 40 H6B	4000 / 4000	500	550 - 2050	1200x150x60	1250	955	911	925	274	305	335	375	204	20	3A
KG 40 H6B EU	4000 / 4000	500	260 - 1510	1200x150x60	1150	955	911	891	276	305	335	375	204	20	3A

**Notes:**

Q1 = when clamping without rotation; or when rotating without clamping.

Q2 = capacity on the forks.

The capacities when clamping depend on the clamping pressure, on the fork arm model and load type.

**Standard fittings:**

Two hydraulic functions required.

Pressure relief valve.

Forks welded directly to the guides.

Double check valve.

Rotating centre.

**On request:**

Special openings.

Separate sideshift.

Pressure gauge.

Load backrest.

Bolt-on forks and different fork lengths.